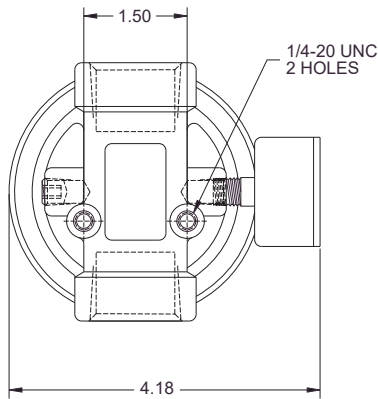




# POLYPAC SYSTEMS CENTER

## 10 GPM RETURN FILTER



### DESCRIPTION:

Return Filters can greatly increase the life of your hydraulic fluid and components. Filters should be sized to handle the maximum return flow of the system.

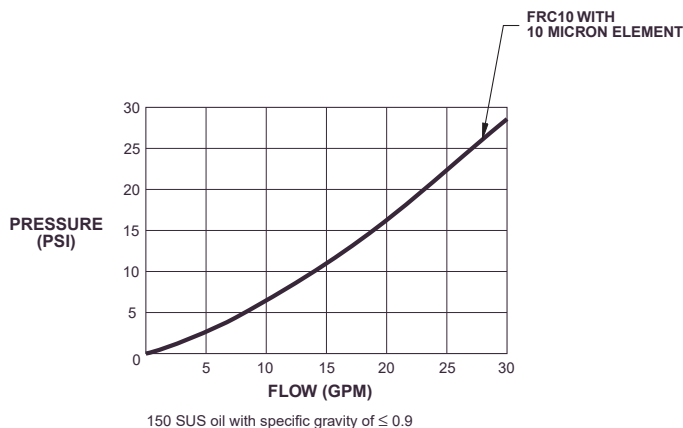
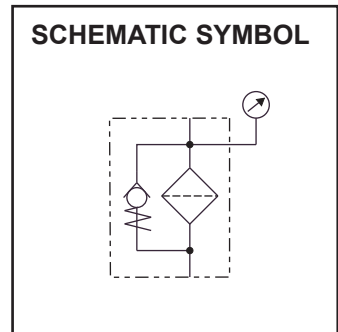
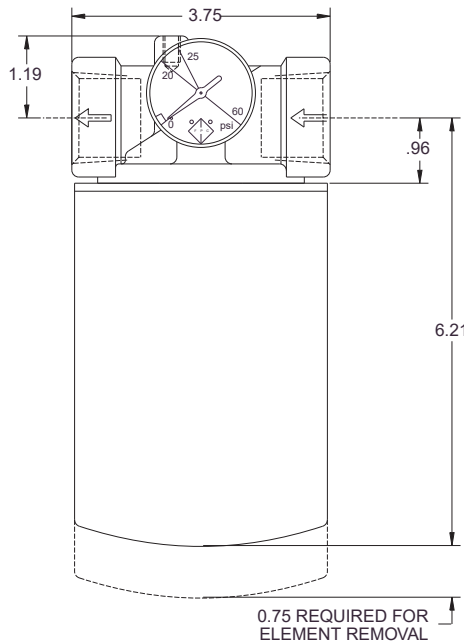
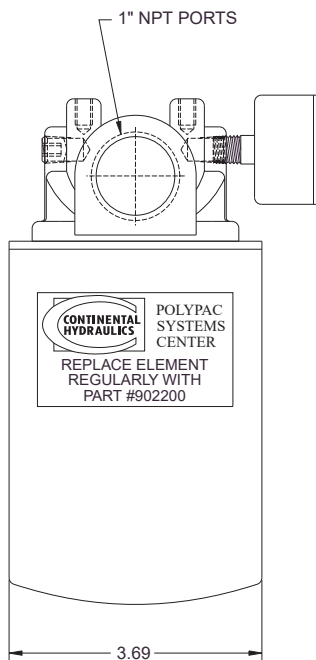
- 10 GPM- Maximum Pressure: 200 PSI.
- By-Pass Cracking Pressure: 25 PSI.
- Visual Indicator Standard.
- Electrical Indicator Optional.

#### Wiring Code:

- Common = Black
- N. O. = Red
- N. C. = Green

#### Voltage

- 12 VDC, 7.0 Amp.
- 24 VDC, 5.0 Amp.
- 125/250 VAC, 5.0 Amp. Inductive



### TYPICAL ORDERING CODE



- |          |                        |
|----------|------------------------|
| <b>C</b> | - VISUAL (#902189)     |
| <b>E</b> | - ELECTRICAL (#944117) |

REPLACEMENT HEAD = 902199

10 MICRON (6 $\mu$ /8 $\mu$ /13 $\mu$ ) REPLACEMENT ELEMENT = 902200

3 MICRON (1.25 $\mu$ /2.25 $\mu$ /5 $\mu$ ) REPLACEMENT ELEMENT = 610194