

SOFT31 (DN 40, 50)



Trusted Partners.
Innovative Solutions.

Single Orifice Float Trap with SLR / TV

Description

The Forbes Marshall Single Orifice Float Trap, SOFT31, is a single orifice condensate drain trap of cast iron body and stainless steel internals.

Sizes and Pipe Connections

DN40 and 50 Screwed BSPT/NPT

Note: Available Non-IBR only

Available Types

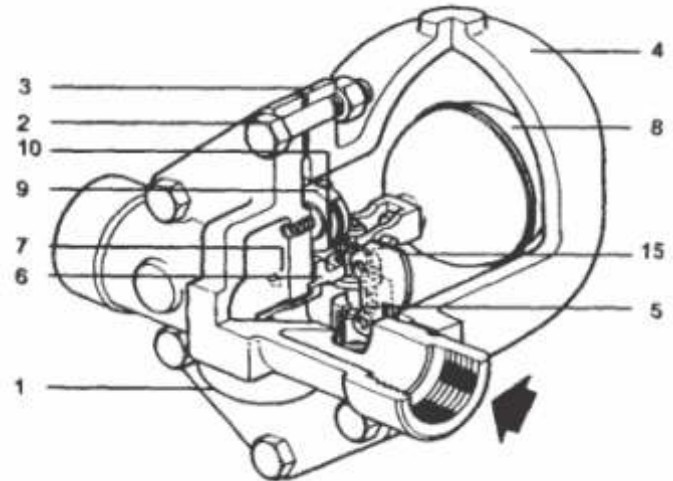
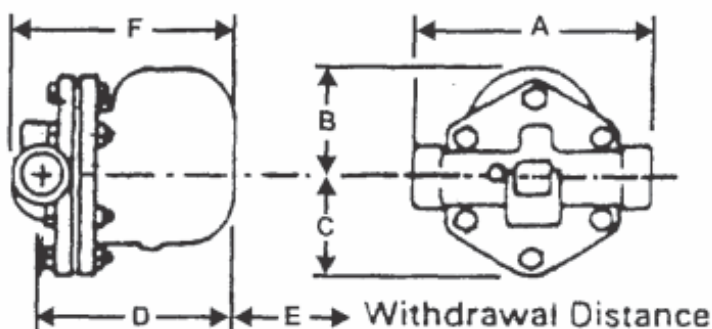
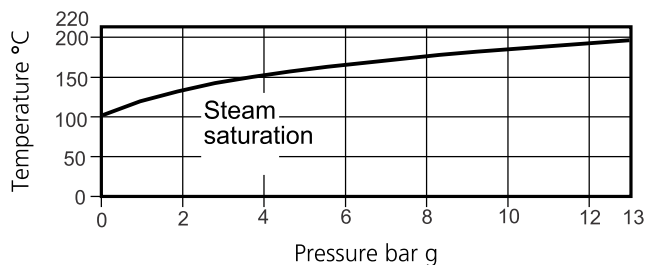
SOFT31 with Thermostatic air Vent (TV)

SOFT31 with Steam Lock Release (SLR)

Limiting Conditions

PMO - Maximum Operating Pressure	13 bar g
TMO - Maximum Operating Temperature	220° C
Cold Hydraulic test pressure	26 bar g
ΔPMX	Maximum Pressure
	SOFT31
	4.5 bar g
	SOFT31
	10 bar g
	SOFT31
	13 bar g

Operating range



Material

Sr.No.	Part	Material	Standard
1.	Body	Cast Iron	IS 210 FG 260
2a.	Cover bolts	Carbon Steel	H.T.IS1367 Gr8.8
2b.	Cover butts	Carbon Steel	H.T.IS1367 Gr8
3.	Cover gasket	Reinforced exfoliated graphite	
4.	Cover	Cast Iron	IS 210 FG 260
5.	Main valve assly. with erosion deflector	Stainless Steel	BS 3148 Part 2 ANC - 2
6.	Main valve assly. gasket	Reinforced exfoliated graphite	
7.	Main valve assly. studs & nuts	Stainless Steel Type 316	ASTM A276
8.	Ball float	Stainless Steel Type 304	ASTM A240
9.	Air vent assly.	Stainless Steel Type 316	ASTM A240
10.	Air vent seat gasket	Stainless Steel Type 410	ASTM A240
*11.	SLR unit	Stainless Steel Type 316	ASTM A276
*12.	SLR unit gasket	Graphite	
*13.	SLR seat	Stainless Steel Type CA40	ASTM A743
*14.	SLR seat gasket	Stainless Steel Type 410	ASTM A240
15.	Deflector plate	Stainless Steel Type 304	ASTM A240

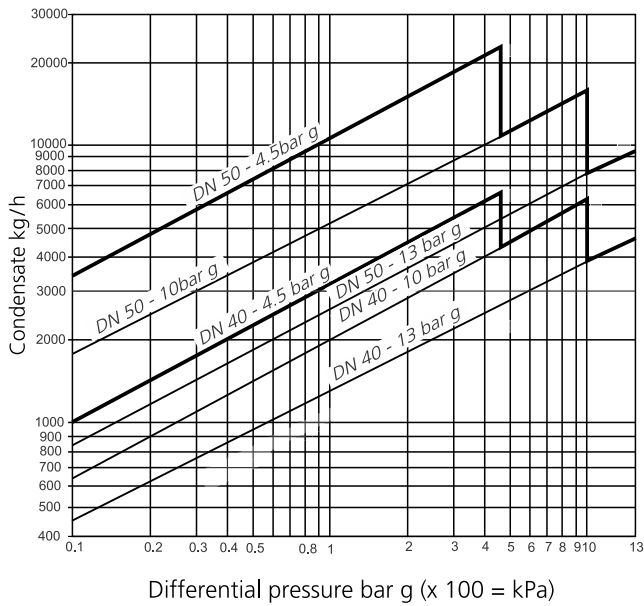
* Not shown in the drawing

Dimensions (approx.) in mm

Size	A	B	C	D	E	F	Weight
DN40	270	127	110	244	200	274	17.5 kg
DN50	300	140	125	250	205	286	22 kg

General Tol : ±3

Capacity Chart

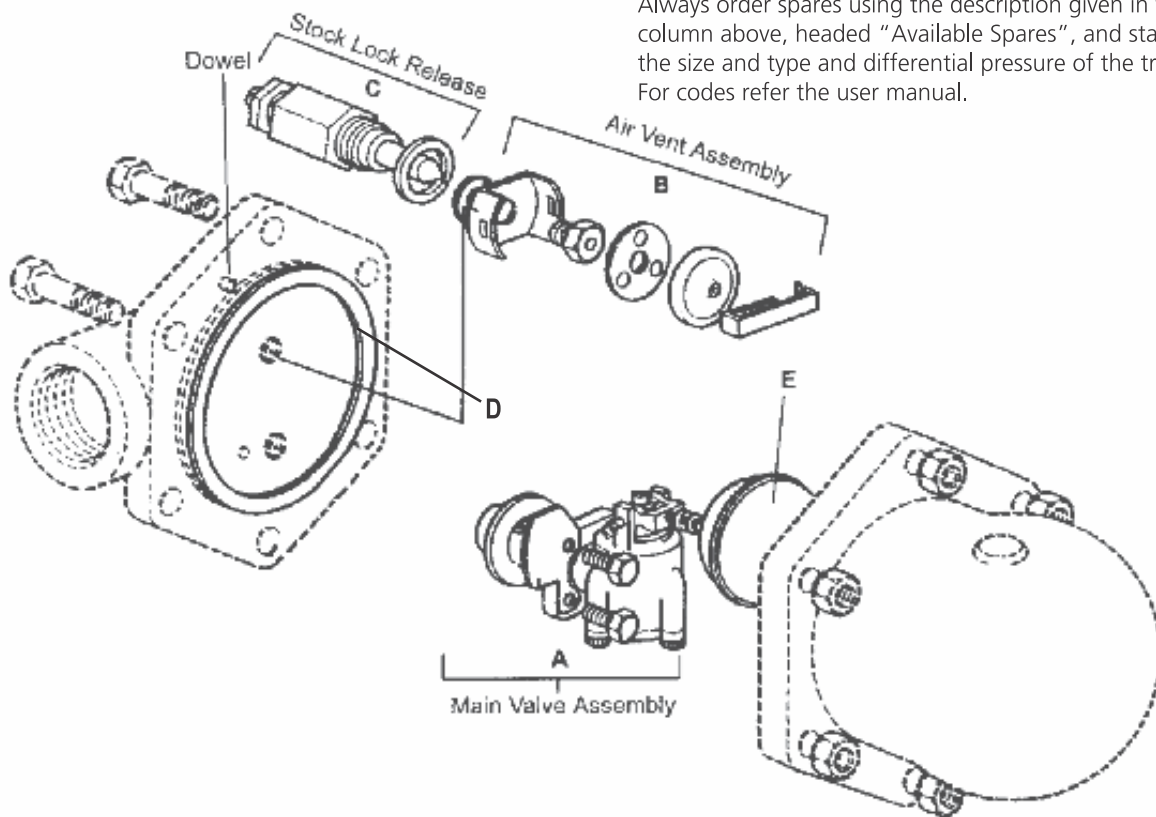


How to Order

Example: DN40 Single Orifice Float Trap, SOFT31, 14 bar g, TV, screwed BSPT

Installation

The arrow on the name plate must point downwards. The arrow on the casting indicates the flow direction. Refer detailed installation and maintenance manual for more information.



Optional Extras

Draincock tapping : the cover can be drilled and tapped 1/2" BSPT to enable a drain cock to be fitted.

Servicing

With suitable isolation repairs can be carried out with trap on the line. Undo cover bolts and lift off the cover. When re-assembling, make sure that all joint faces are clean. Always use a new gasket and apply a thin coating of jointing paste. Tighten cover bolts uniformly. Open up the isolating valve.

Recommended Tightening Torques

Part	Torque (Nm)
1. TV seat	45 – 55
2. SLR Seat	45 – 55
3. SLR Body	60 – 70
4. Valve Housing (Studs)	15 – 20
5. Cover Bolts	65 – 75

Spare Parts

The spare parts available are shown in the figure in a heavy outline. Parts drawn in a broken line are not supplied as spares.

Available Spares

Main valve assembly with erosion deflector	A
Air vent assembly	B
Steam lock release unit	C
Sets of gasket (pack of 5 sets)	D
Float	E

How to Order Spares

Always order spares using the description given in the column above, headed "Available Spares", and stating the size and type and differential pressure of the trap. For codes refer the user manual.